

4

3

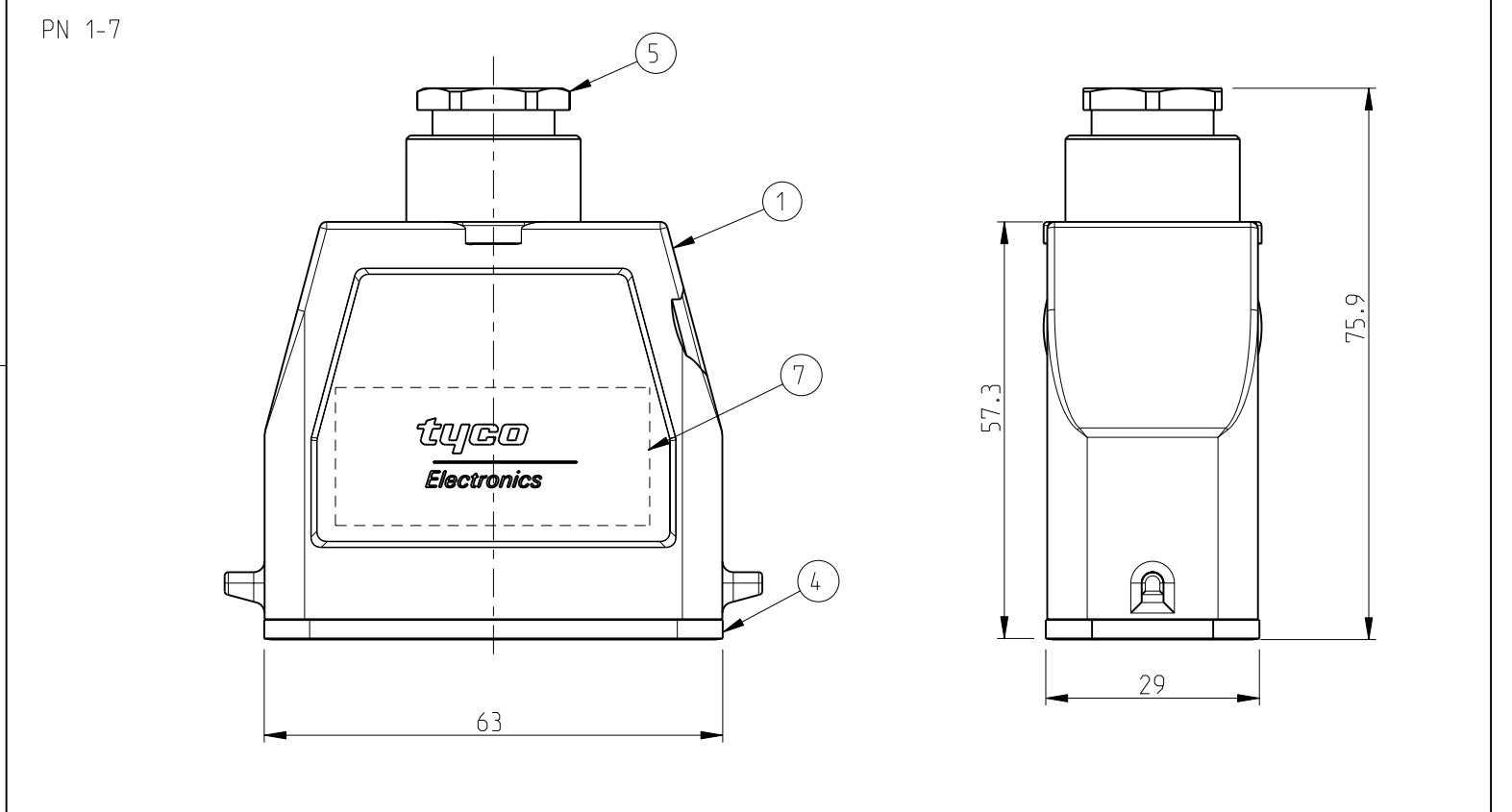
2

1

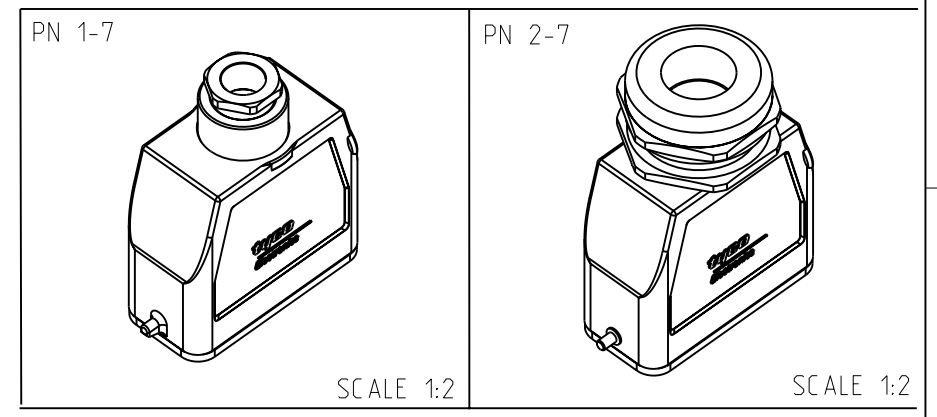
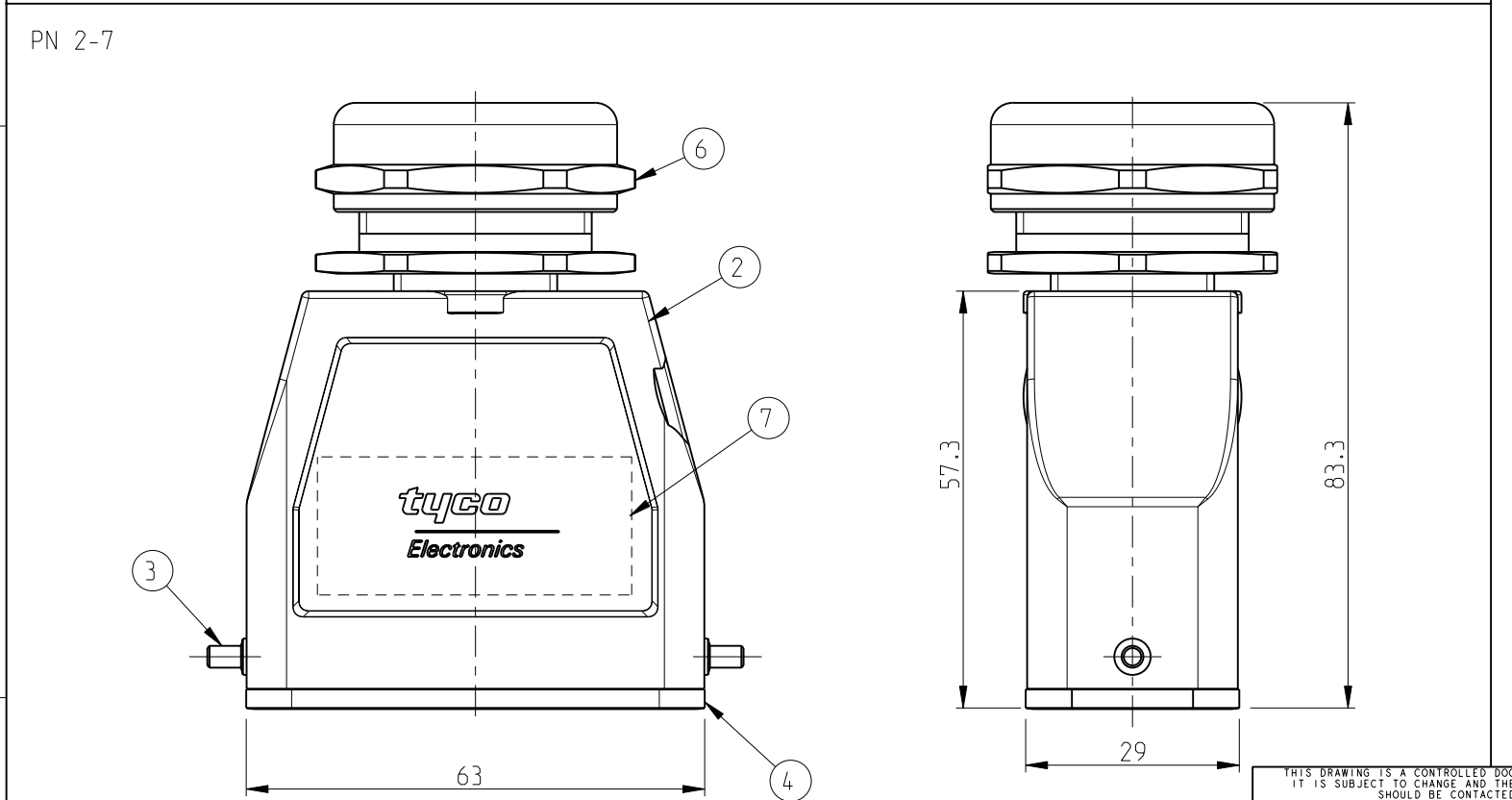
THIS DRAWING IS UNPUBLISHED. RELEASED FOR PUBLICATION .2000

© COPYRIGHT 2000 BY TYCO ELECTRONICS CORPORATION. ALL RIGHTS RESERVED.

LOC	DIST	REVISIONS				
P	LTR	DESCRIPTION	DATE	DWN	APVD	
A1	-	B4	ECR-10-016845	12AUG2010	GW	BR



- NOTES
- 1 PACKAGING
PACKAGING QUANTITY:5 PIECES PER BOX
 - 2 MATERIAL:HOUSING ALUMINIUM DIECASTING ALLOY
 - 3 SURFACE:ALUMINIUM OXIDE+VARNISH BLACK
VARNISH-GREY
 - 4 VARNISH ON THE INSIDE NOT NECESSARY
 - 5 OBSOLETE PARTS: OBSOLETE CIS STREAMLINING PER
D.RENAUD/D.SINISI



5
OBSOLETE

2	2	INSULATING TAPE	COROPLAST TYP 303	-	GREY	7	PVC-SOFT
1	-	CABLE FITTING	BRASS	NICKEL PLATED	BLUE	6	PG16
-	1	CABLE FITTING ROUND	BRASS	NICKEL PLATED	BLUE	5	PG16
1	1	PROFILE SEAL	NEOPRENE	-	BLACK	4	
2	-	CLIP BOLT	STAINLES STEEL	BLANK		3	
1	-	HA-K,HOOD	ALUMINIUM	ALUMINIUM OXIDE	BLACK	2	
-	1	HA,HOOD	ALUMINIUM	-	GREY	1	
2-7	1-7	DESCRIPTION	MATERIAL	SURFACE	COLOR	ITEM NO	REMARKS

HA.10.STO.1.16
HA-K.10.STO.1.16

THIS DRAWING IS A CONTROLLED DOCUMENT FOR TYCO ELECTRONICS CORPORATION
IT IS SUBJECT TO CHANGE AND THE CONTROLLING ENGINEERING ORGANIZATION
SHOULD BE CONTACTED FOR THE LATEST REVISION.

DIMENSIONS: mm		TOLERANCES UNLESS OTHERWISE SPECIFIED:	
		0 PLC	±
		1 PLC	±
		2 PLC	±
		3 PLC	±
		4 PLC	±
		ANGLES	±
MATERIAL		FINISH	

DWN	S.KUMAR	2/24/2006	 Tyco Electronics Corporation, AMP.GmbH 53757 Sankt Augustin, Germany
CHK	R.SRINIVAS	2/24/2006	
APVD	T.SCHNURPFEL	2/24/2006	
PRODUCT SPEC	108-74009		
APPLICATION SPEC	114-74001		NAME
WEIGHT	-		HOOD HA.10.STO.1.16
CUSTOMER DRAWING			SIZE
SCALE 1:1			CAGE CODE
SHEET 1 OF 1			DRAWING NO
REV B4			RESTRICTED TO